

INNOVATION LEADS TO VALUE



SUNWARD

Simmler *Vermietung*  
*Verkauf*  
*Reparatur*  
Baumaschinen

# SWE08F MINI-EXCAVATOR

◆ Total weight:1.01t

◆ Engine power:7.2kW/2400rpm

◆ Bucket capacity:0.022m<sup>3</sup>

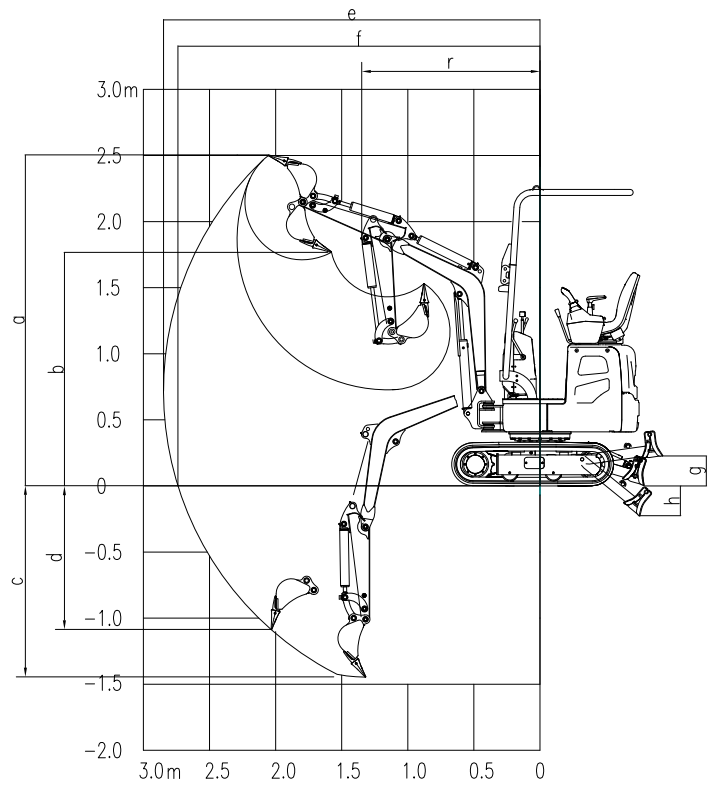


- ◆ Equipped with high-performance engine, meeting Euro 5 emission standard, and low noise and shaking.
- ◆ Equipped with famous brand hydraulic components that are reliable and durable. Pilot hydraulic maneuvering is used for precise and smooth operation.
- ◆ Tail cover with large opening angle and front sealing plate that can be fully opened to facilitate easy day-to-day maintenance.
- ◆ With the chassis expansion and contraction, moving arm deflection, upper trolley rotation, bulldozer folding and other functions, it can be used for the works in narrow spaces.
- ◆ Various manipulator handles are centrally arranged for flexible switching of functions, and flip armrest box and pilot safety switch are installed for safe and comfortable operation.



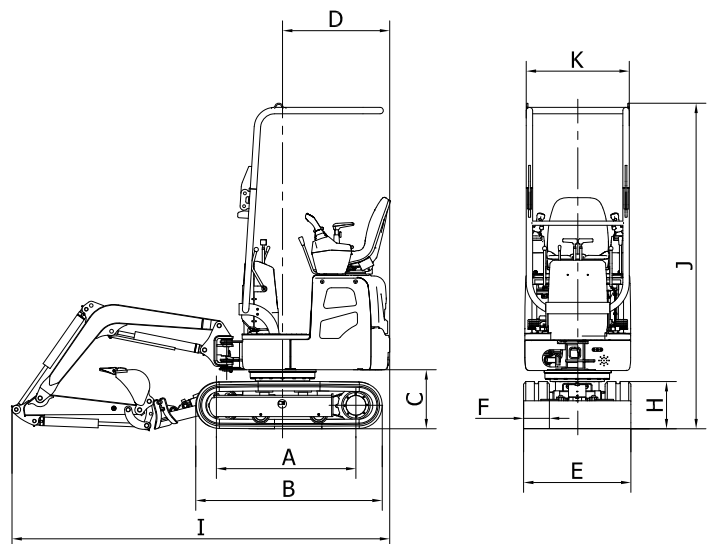
### Parameters and performance of the main machine

Dimension (L×W×H)		mm	2640×750×2276
Overall weight	With rubber track	t	1.01
	With steel track	t	\
Standard bucket capacity		m <sup>3</sup>	0.022
Bucket digging ability		kN	9.4
Digging force of arm		kN	5.8
Max. traction		kN	9.4
Deflection angle (boom)		°	53°(Right)73°(Left)
Travel speed (Max/Min)		km/h	2.9/1.5
Gradeability		°	30
Ground pressure		kPa	24.5
Slewing speed		rpm	8.2
Engine	Brand	YANMAR	
	Model	2TNV70-PSU(Euro V)	
	Type	4-stroke, in line, water cooling	
	Displacement	L	0.57
	Power/Rotation speed	kw/rpm	7.2/2400
Fuel tank capacity		L	10
Primary pump	Type	3 coupling gear pump	
	Flow rate	L/min	9.6+9.6
Pressure of main relief valve		MPa	16
Hydraulic oil tank capacity		L	9.5



### Working range

	Arm length	mm	700
a	Max. digging height	mm	2503
b	Max. dumping height	mm	1768
c	Max. digging depth	mm	1446
d	Max. vertical digging depth	mm	1084
e	Max. digging radius	mm	2848
f	Max. digging reach at ground level	mm	2738
g	Max. lift height of the dozer blade	mm	225
h	Max. digging depth of the dozer blade	mm	225
r	Min. swing radius	mm	1349
	Bulldozer blade length×width	mm	1000×197



### Outline dimension

A	Wheel tread	mm	975	G	Chassis ground clearance	mm	131
B	Total track length	mm	1299	H	Track height	mm	330
C	Ground clearance of platform	mm	419	I	Total length	mm	2640
D	Platform tail slewing radius	mm	750	J	Cab roof height	mm	2276
E	Chassis width	mm	750/1000	K	Upper-structure width	mm	740
F	Track width	mm	180				

★ The above parameters may be different due to product upgrading.

