

INNOVATION LEADS TO VALUE



SUNWARD

Simmler *Vermietung*
Verkauf
Reparatur
Baumaschinen

SWE10FED ELECTRIC EXCAVATOR

◆ Total weight: 1.01t ◆ Motor power: 5.5kW ◆ Bucket capacity: 0.022~0.051m³



- ◆ Equipped with a 13.5 kWh large-capacity lithium iron phosphate battery, providing endurance of 4-6h when fully charged.
- ◆ The battery, motor and electronic control systems are maintenance-free. Only the hydraulic system needs to be maintained, so the maintenance cost is low.
- ◆ It supports fast and slow charging, which can be fully charged in 2h for fast charging and 8h for slow charging. It can be recharged where there is power.
- ◆ With electronically controlled intelligent speed regulation control and equipped with the high-power three-phase asynchronous motor, the machine has fast action response, high efficiency and low energy consumption.

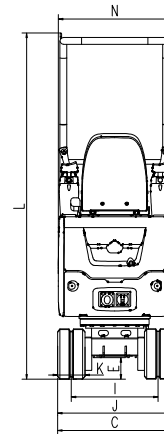
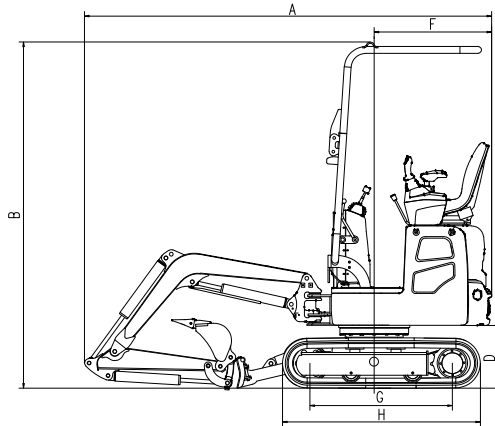
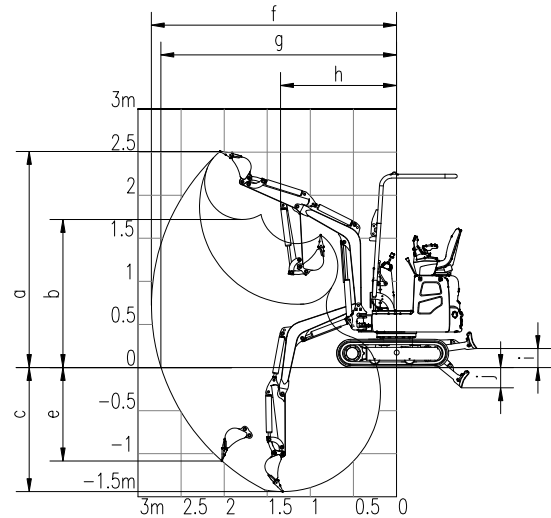


Performance Parameters of Machine

Specification		
Operating mass	t	1.01
Bucket capacity	m ³	0.022-0.051
Motor		
Motor type		Three-phase A.M
Rated power	kW	5.5
Rated torque	N·m	19.4
Battery		
Type		Lithium iron phosphate
Capacity	kWh	13.5
Voltage	V	73.6
Indicative time	h	4-6
Hydraulic system		
Type of primary pump		Gear pump
Max. flow of primary pump	L/min	2x9.9
System pressure	Mpa	16
Type of pilot pump		Gear pump
Max. pilot flow	L/min	9.9
Pilot pressure	Mpa	3.9
Performance		
Swing speed	rpm	9
Travel speed	km/h	2.9/1.5
Gradeability	%	57.7
Ground pressure	kPa	24.5
Oil tank capacity		
Capacity of hydraulic tank	L	10.7

Working Range, Excavation Force

a	Max. digging height	mm	2505
b	Max. unloading height	mm	1720
c	Max. digging depth	mm	1440
d	Digging depth(2.44 m, horizontal)	mm	/
e	Max. vertical digging depth	mm	1085
f	Max. digging reach	mm	2845
g	Max. ground digging reach	mm	2735
h	Min. front swing radius	mm	1350
i	Max. lift height of dozer blade	mm	225
j	Max. digging depth of dozer blade	mm	225
	Allowable boom shift(left/right)	°	73/53
	Excavation force of bucket	kN	9.4
	Digging force of arm	kN	5.8



Appearance Dimension

	Boom length	mm	1350	G	Ground contact length of track	mm	975
	Arm length	mm	700	H	Length of track	mm	1300
A	Total length	mm	2675	I	Track gauge	mm	570/820
B	Total height	mm	2275	J	Track width	mm	750/1000
C	Total width	mm	750/1000	K	Width of track link	mm	180
D	Ground clearance of counterweight	mm	420	L	Max. height of machine	mm	2275
E	Min. ground clearance	mm	130	N	Width of turntable	mm	740
F	Tail swing radius	mm	775				

★The above parameters may be different due to product upgrading.

