

INNOVATION LEADS TO VALUE



SUNWARD

Simmler *Vermietung* *Verkauf* *Reparatur*  
Baumaschinen

# SWE50UF MINI-EXCAVATOR

◆ Total weight:5350kg ◆ Engine power:29.7kW/2200rpm ◆ Bucket capacity:0.14m<sup>3</sup>



## ◆ Comfortable and intelligent

The cab has a large field of vision, large space, and comfortable shock-absorbing seats; the 7-inch color touch screen can realize flow adjustment of crushing piping and attachment piping and intelligent control experience.

## ◆ Flexible construction

Zero-tail swing and boom deflection shall cope with the working conditions in narrow spaces. Side and corner operations can be successfully carried out, without frequent machine movement.

## ◆ Stable and reliable

There is a large undercarriage for higher stability. The machine can easily move on muddy roads through a large displacement travel motor.

## ◆ Convenient maintenance

Lubrication and maintenance can be completed in one posture. It is equipped with a full-open cover, easy to maintain.

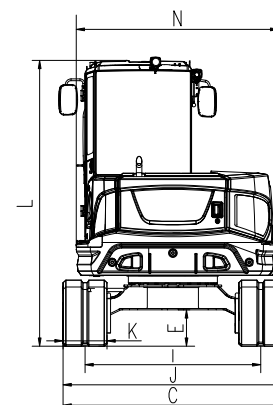
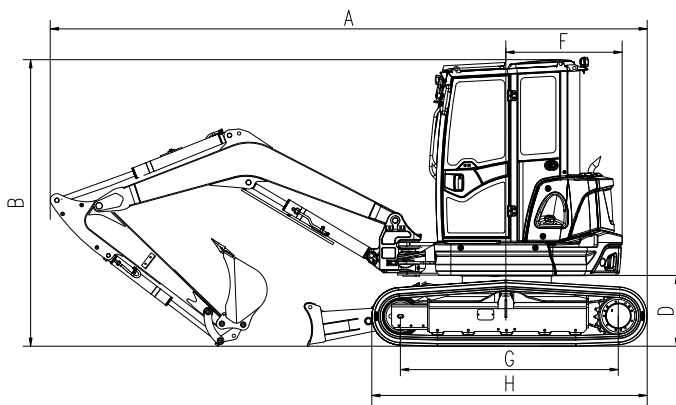
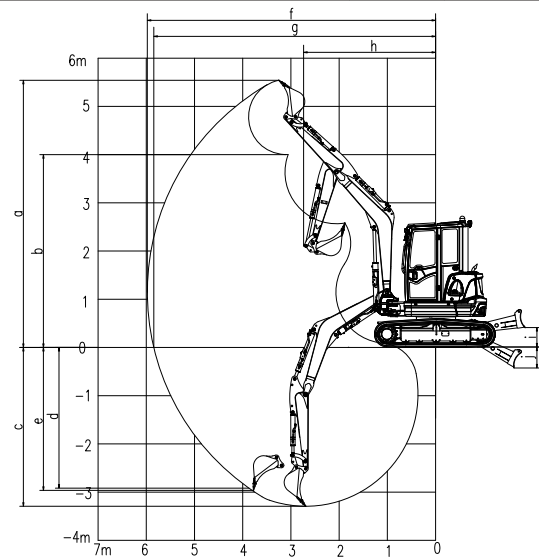


### Performance Parameters of Machine

Specification		
Operating mass	kg	5350
Bucket capacity	m <sup>3</sup>	0.14
Engine		
Brand		Kubota
Model		D1803-T
Rated power	kW/rpm	29.7/2200
Max. torque	N·m/rpm	150/1500
Displacement	L	1.8
Hydraulic system		
Type of primary pump		Variable piston pump
Max. flow of primary pump	L/min	110
System pressure	Mpa	26
Type of pilot pump		/
Max. pilot flow	L/min	15
Pilot pressure	Mpa	3.5
Performance		
Swing speed	rpm	10.7
Travel speed	km/h	4.3/2.5
Gradeability	%	70
Ground pressure	kPa	31
Oil tank capacity		
Capacity of fuel tank	L	70
Capacity of hydraulic tank	L	70

### Working Range, Excavation Force

a	Max. digging height	mm	5535
b	Max. unloading height	mm	3955
c	Max. digging depth	mm	3375
d	Digging depth (2.44 m, horizontal)	mm	2920
e	Max. vertical digging depth	mm	2965
f	Max. digging reach	mm	5940
g	Max. ground digging reach	mm	5845
h	Min. front swing radius	mm	2825
i	Max. lift height of dozer blade	mm	400
j	Max. digging depth of dozer blade	mm	436
	Allowable boom shift (left/right)	°	64/47
	Excavation force of bucket	kN	34
	Digging force of arm	kN	23



### Appearance Dimension

	Boom length	mm	2700	G	Ground contact length of track	mm	1985
	Arm length	mm	1550	H	Length of track	mm	2490
A	Total length	mm	5435	I	Track gauge	mm	1600
B	Total height	mm	2570	J	Track width	mm	2000
C	Total width	mm	2000	K	Width of track link	mm	400
D	Ground clearance of counterweight	mm	640	L	Max. height of machine	mm	2570
E	Min. ground clearance	mm	330	N	Width of turntable	mm	1845
F	Tail swing radius	mm	1050				

★The above parameters may be different due to product upgrading.

