

INNOVATION LEADS TO VALUE



SUNWARD

Simmler *Vermietung*  
*Verkauf*  
*Reparatur*  
Baumaschinen

# SWE60UFED ELECTRIC EXCAVATOR

- ◆ Total weight:6t
- ◆ Motor power:30kW
- ◆ Bucket capacity:0.08~0.30m<sup>3</sup>



◆ **Efficient, environmentally friendly, clean, energy-saving and economic**

Equipped with high-torque permanent magnet synchronous motor; high efficiency, low energy consumption, zero emission, low comprehensive use and maintenance cost.

◆ **Convenient and long-lasting operation**

Equipped with a high-capacity battery as well as an integrated AC/DC charging port, it can be fully charged in as fast as 1.5 h and work for 4-6 h.

◆ **Exquisite, capable, flexible and all-round**

Standard attachment piping and quick-change piping can replace manual labor to meet a variety of attachment requirements; side and corner operations can be successfully carried out based on a zero-tail swing body, easy and flexible wall-side construction, and deflection of working devices.

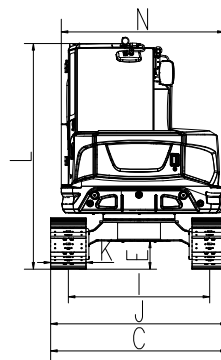
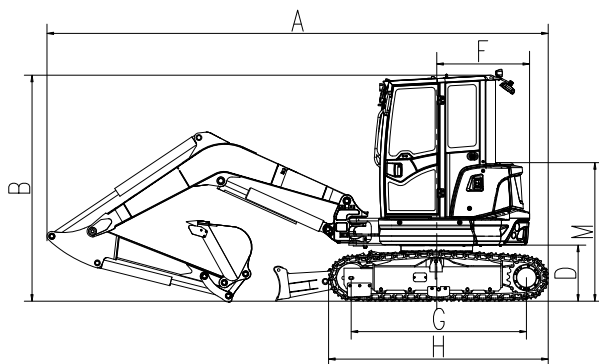
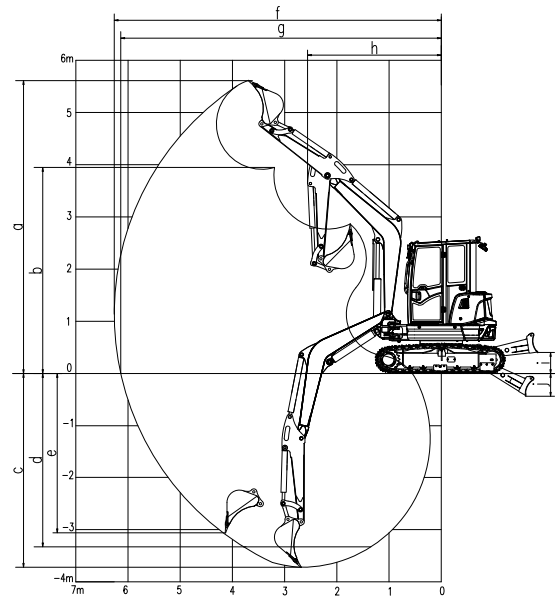


### Performance Parameters of Machine

Specification		
Operating mass	kg	6000
Bucket capacity	m <sup>3</sup>	0.08-0.30
Motor		
Motor type		P.M.
Rated power	kW	30
Rated torque	N·m	120
Battery		
Type		Lithium iron phosphate
Capacity	kWh	66.6
Voltage	V	332.8
Indicative time	h	4-6
Hydraulic system		
Type of primary pump		Variable piston pump
Max. flow of primary pump	L/min	172
System pressure	Mpa	25
Type of pilot pump		/
Max. pilot flow	L/min	15
Pilot pressure	Mpa	3.5
Performance		
Swing speed	rpm	10
Travel speed	km/h	4.8/2.7
Gradeability	%	70
Ground pressure	kPa	34
Oil tank capacity		
Capacity of hydraulic tank	L	65

### Working Range, Excavation Force

a	Max. digging height	mm	5600
b	Max. unloading height	mm	3950
c	Max. digging depth	mm	3700
d	Digging depth(2.44 m, horizontal)	mm	3300
e	Max. vertical digging depth	mm	3050
f	Max. digging reach	mm	6260
g	Max. ground digging reach	mm	6140
h	Min. front swing radius	mm	2560
i	Max. lift height of dozer blade	mm	400
j	Max. digging depth of dozer blade	mm	435
	Allowable boom shift(left/right)	°	70/50
	Excavation force of bucket	kN	47
	Digging force of arm	kN	31



### Appearance Dimension

	Boom length	mm	2900	G	Ground contact length of track	mm	1985
	Arm length	mm	1600	H	Length of track	mm	2490
A	Total length	mm	5680	I	Track gauge	mm	1600
B	Total height	mm	2570	J	Track width	mm	2000
C	Total width	mm	2000	K	Width of track link	mm	400
D	Ground clearance of counterweight	mm	635	L	Max. height of machine	mm	2570
E	Min. ground clearance	mm	320	N	Width of turntable	mm	1845
F	Tail swing radius	mm	1050				

★ The above parameters may be different due to product upgrading.

